

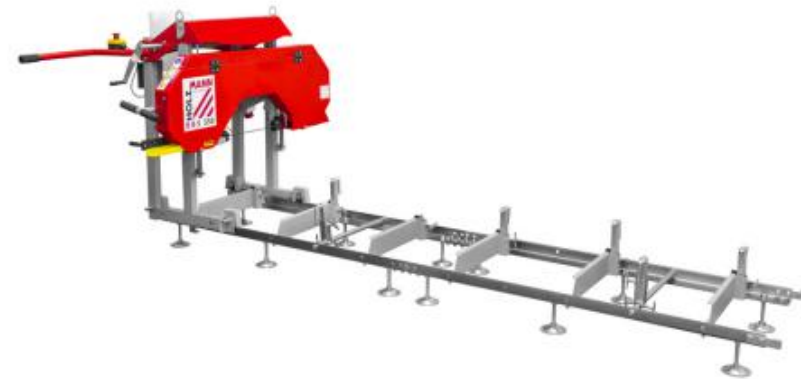
BBS350_400V

head band saw



The BBS350 is designed exclusively for cutting soft, hard, dry, raw or frozen timber or wooden prisms.

- all types of timber can be cut with the same band
- the cutting length depends on the number of expanding sections
- max. cutting length (standard model) 2,4 m
- solid and twist free construction
- low level of required maintenance
- easy handling
- massive cast iron drive wheel
- precise guide
- eccentric clamp system
- manual height (thickness) adjustment
- manual cutting feed
- Carbon-Steel sawblade 4TPI



**YOUR
JOB.
OUR
TOOLS.**

BBS350_400V

head band saw



technical details

motor power s1 in W	2200	voltage	400 V / 3 / 50 Hz
total dimensions in mm	3100 x 1450 x 1220	saw band in mm	2750 x 19 x 0,9
saw band speed in m/min	840	flywheel diameter in mm	350
max. log diameter in mm	360	max. opening between blade guides in mm	350
track section in m	1,5	kerf thickness in mm	1,5-2,2
gross weight in kg	210	net weight in kg	170
packaging width in mm	645	packaging length in mm	1.365
packaging height in mm	1.150	EAN code	9120058376924

**YOUR
JOB.
OUR
TOOLS.**